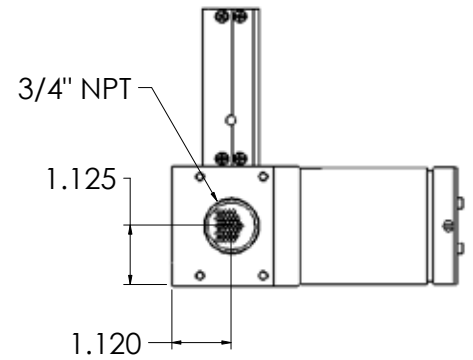
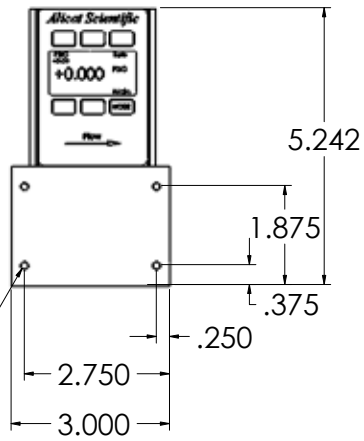
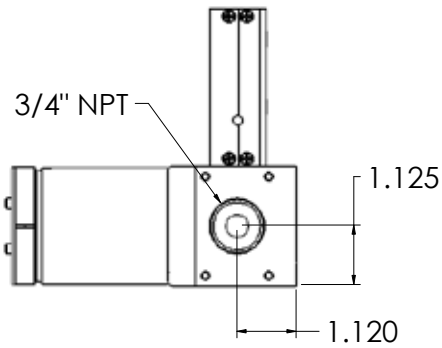
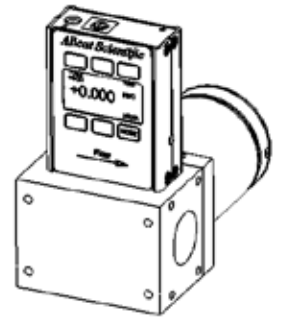
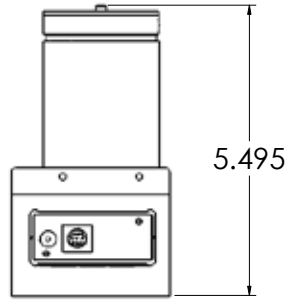


**PCR Series:
Most standard ranges**



**PCR Series:
Differential Pressure 5inH2O**

